

COMPACT HIGH-PERFORMANCE FAN HEATER (SEMICONDUCTOR)

CS 030 | 1,200 W

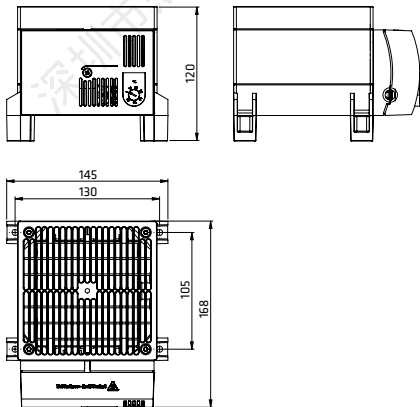


- > Compact design
- > Double insulated
- > High heating performance
- > Integrated thermostat (optional)

The compact high performance fan heater prevents formation of condensation and frost and provides an evenly distributed interior air temperature in enclosures with electric/electronic components. The plastic housing provides double insulation and acts as protection against contact. The fan heater is available with optional integrated thermostat for temperature control. The CS 030 was designed as a stationary unit for the bottom of the enclosure. For wall fixing the fan heater CS 130 is recommended.

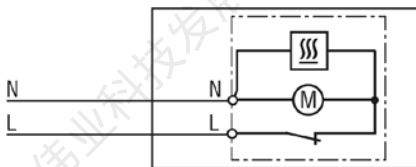


TECHNICAL DATA

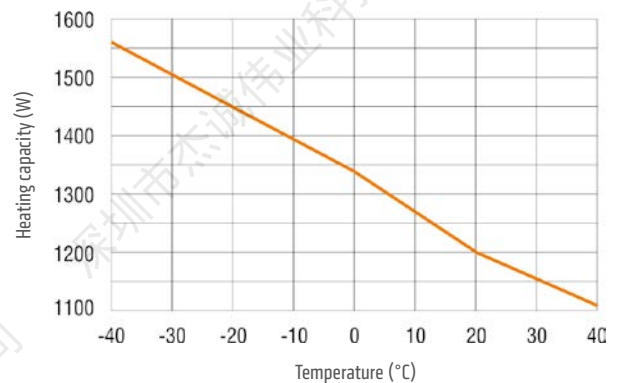


Heating element	PTC resistor – temperature limiting
Temperature safety cut-out	to protect against overheating in case of fan failure, automatic reset
Axial fan, ball bearing	airflow 160 m ³ /h, free flow service life 50,000 h at +25 °C (+77 °F)
Connection	2-pole max. 2.5 mm ² , clamping screw with strain relief, torque 0.8 Nm max.
Casing	plastic according to UL94 V-0, black
Mounting	screw fixing (M5)
Fitting position	vertical airflow (air outlet up)
Dimensions	168 x 145 x 120 mm
Weight	approx. 1.2 kg
Operating/Storage temperature	-45 to +70 °C (-49 to +158 °F)
Operating/Storage humidity	max. 90 % RH (non-condensing)
Protection type/Protection class	IP20 / II (double insulated)

Connection diagram



Heating capacity / Ambient temperature diagram CS 030



Art. No.	Model	Operating voltage	Heating capacity ¹	Inrush current max.	Recommended pre-fuse T (time-delay)	Setting range ²	Approvals		
03060.0-00	Fan Heater with thermostat	AC 230 V, 50/60 Hz	1,200 W	13.0 A	10.0A	0 to +60 °C	VDE	UL File No. E150057 ³	EAC
03060.0-01	Fan Heater without thermostat	AC 230 V, 50/60 Hz	1,200 W	13.0 A	10.0A	-	VDE	UL File No. E150057 ³	EAC
03060.9-00	Fan Heater with thermostat	AC 120 V, 50/60 Hz	1,200 W	16.0 A	16.0A	+32 to +140 °F	-	UL File No. E150057 ³	EAC
03060.9-01	Fan Heater without thermostat	AC 120 V, 50/60 Hz	1,200 W	16.0 A	16.0A	-	-	UL File No. E150057 ³	EAC

¹ at +20 °C (+68 °F) ambient temperature; ² Switch temperature difference 7 K (±4 K tolerance); ³ according to UL 508A, NITW File on request

COMPACT HIGH-PERFORMANCE FAN HEATER (SEMICONDUCTOR)

CS 130 | 1,200 W



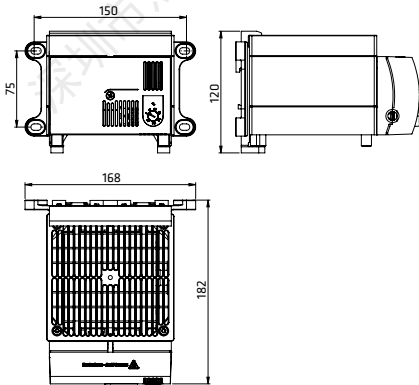
- > Compact design
- > High heating performance
- > Double insulated
- > Integrated thermostat (optional)
- > Optional clip or screw fixing

The compact high performance fan heater prevents formation of condensation and frost and provides an evenly distributed interior air temperature in enclosures with electric/electronic components. The plastic housing provides double insulation and acts as protection against contact. The fan heater is available with optional integrated thermostat for temperature control. The CS 130 was designed as a stationary unit for wall fixing. For fixing on the bottom of the enclosure the fan heater CS 030 is recommended.

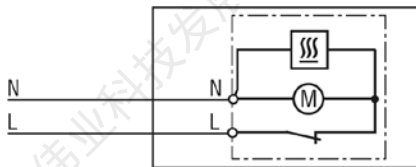


TECHNICAL DATA

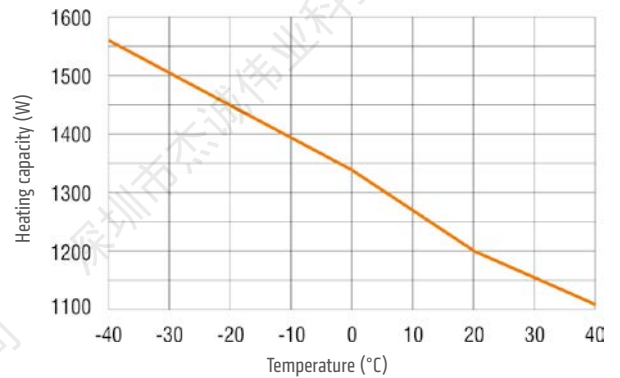
Heating element	PTC resistor – temperature limiting
Temperature safety cut-out	to protect against overheating in case of fan failure, automatic reset
Axial fan, ball bearing	airflow 160 m ³ /h, free flow service life 50,000 h at +25 °C (+77 °F)
Connection	2-pole max. 2.5 mm ² , clamping screw with strain relief, torque 0.8 Nm max.
Casing	plastic according to UL94 V-0, black
Mounting	clip for 35 mm DIN rail, EN 60715 or screw fixing (M6)
Fitting position	vertical airflow (air outlet up)
Dimensions	182 x 168 x 120 mm
Weight	approx. 1.3 kg
Operating/Storage temperature	-45 to +70 °C (-49 to +158 °F)
Operating/Storage humidity	max. 90 % RH (non-condensing)
Protection type/Protection class	IP20 / II (double insulated)



Connection diagram



Heating capacity / Ambient temperature diagram CS 130



Art. No.	Model	Operating voltage	Heating capacity ¹	Inrush current max.	Recommended pre-fuse T (time-delay)	Setting range ²	Approvals
13060.0-00	Fan Heater with thermostat	AC 230 V, 50/60 Hz	1,200 W	13.0 A	10.0 A	0 to +60 °C	VDE UL File No. E150057 ³ EAC
13060.0-01	Fan Heater without thermostat	AC 230 V, 50/60 Hz	1,200 W	13.0 A	10.0 A	-	VDE UL File No. E150057 ³ EAC
13060.9-00	Fan Heater with thermostat	AC 120 V, 50/60 Hz	1,200 W	16.0 A	16.0 A	+32 to +140 °F	- UL File No. E150057 ³ EAC
13060.9-01	Fan Heater without thermostat	AC 120 V, 50/60 Hz	1,200 W	16.0 A	16.0 A	-	- UL File No. E150057 ³ EAC

¹ at +20 °C (+68 °F) ambient temperature; ² Switch temperature difference 7 K (±4 K tolerance); ³ according to UL 508A, NITW File on request